



*Exercise 4: List some roundwood products found on your woodlot. (see page 17-25)*

---

---

---

---

---

---

---

---

---

---

*Exercise 5: List a few guidelines for making better logs and bolts. (see page 25)*

---

---

---

---

---

---

---

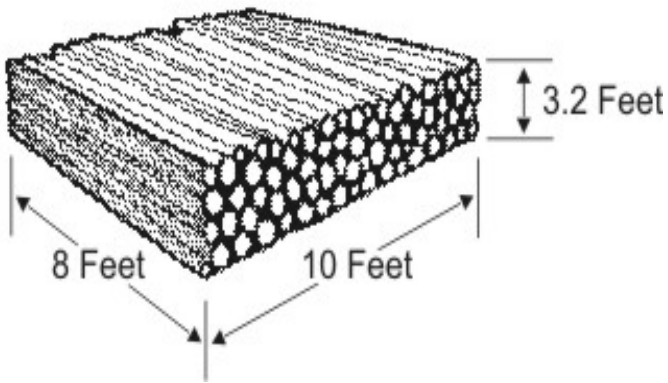
---

---

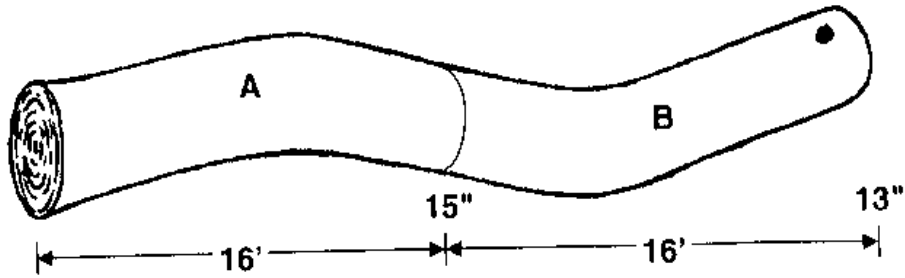
---

*Exercise 6: What is the volume of the wood pile drawn below. (see page 30)*

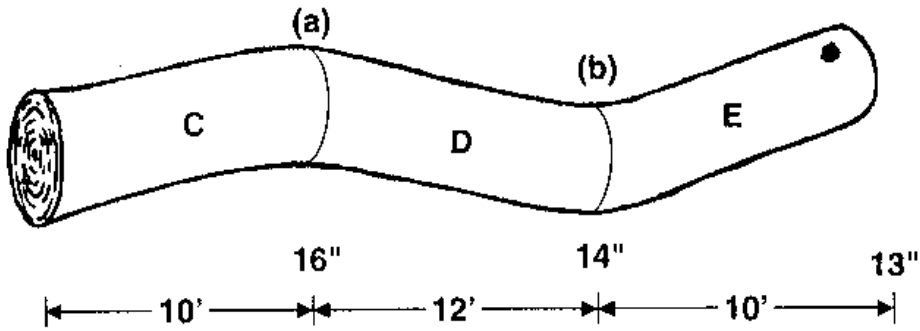
## 2 CORDS



Exercise 7: The following are two examples of logs cut from a typical woodlot. Illustrate how you would properly divide and cut the trees and the products that would come from each cut. (see page 27-29)



Log #1



Log #2

Log #1: \_\_\_\_\_  
 \_\_\_\_\_  
 \_\_\_\_\_  
 \_\_\_\_\_  
 \_\_\_\_\_

Log #2: \_\_\_\_\_  
 \_\_\_\_\_  
 \_\_\_\_\_  
 \_\_\_\_\_  
 \_\_\_\_\_

\*If you wish to discuss the workbook exercises or your answers, please feel free to contact 424-5444 or email [woodlot@gov.ns.ca](mailto:woodlot@gov.ns.ca)