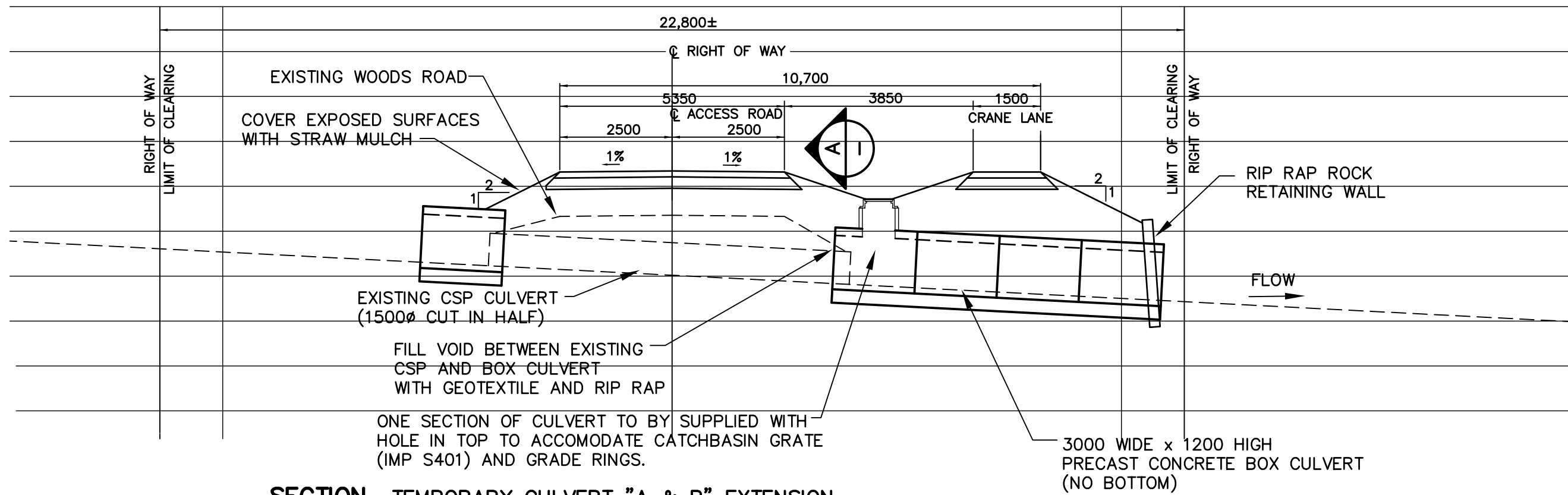


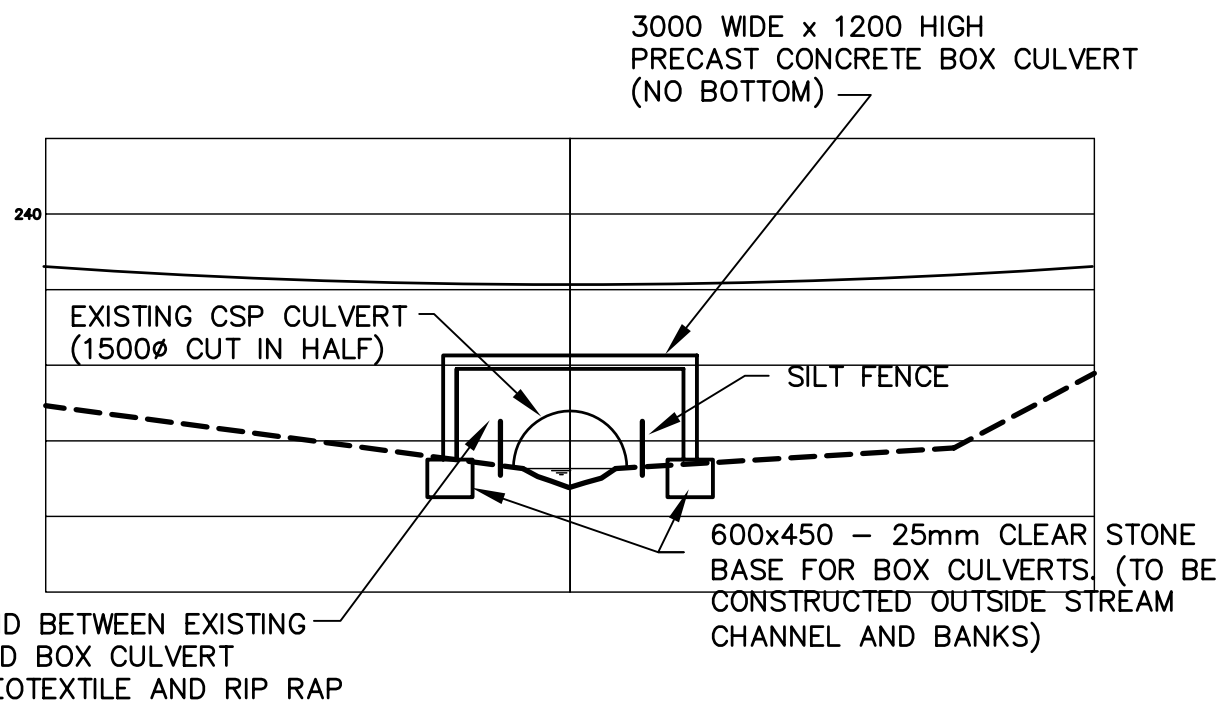
DRAWING FILENAME: DETAILS.DWG LAYOUT NAME: DWG\_3 DATE: 6/9/2008 1:36 PM CAD OPERATOR: SHIJUM



**SECTION— TEMPORARY CULVERT "A & B" EXTENSION**

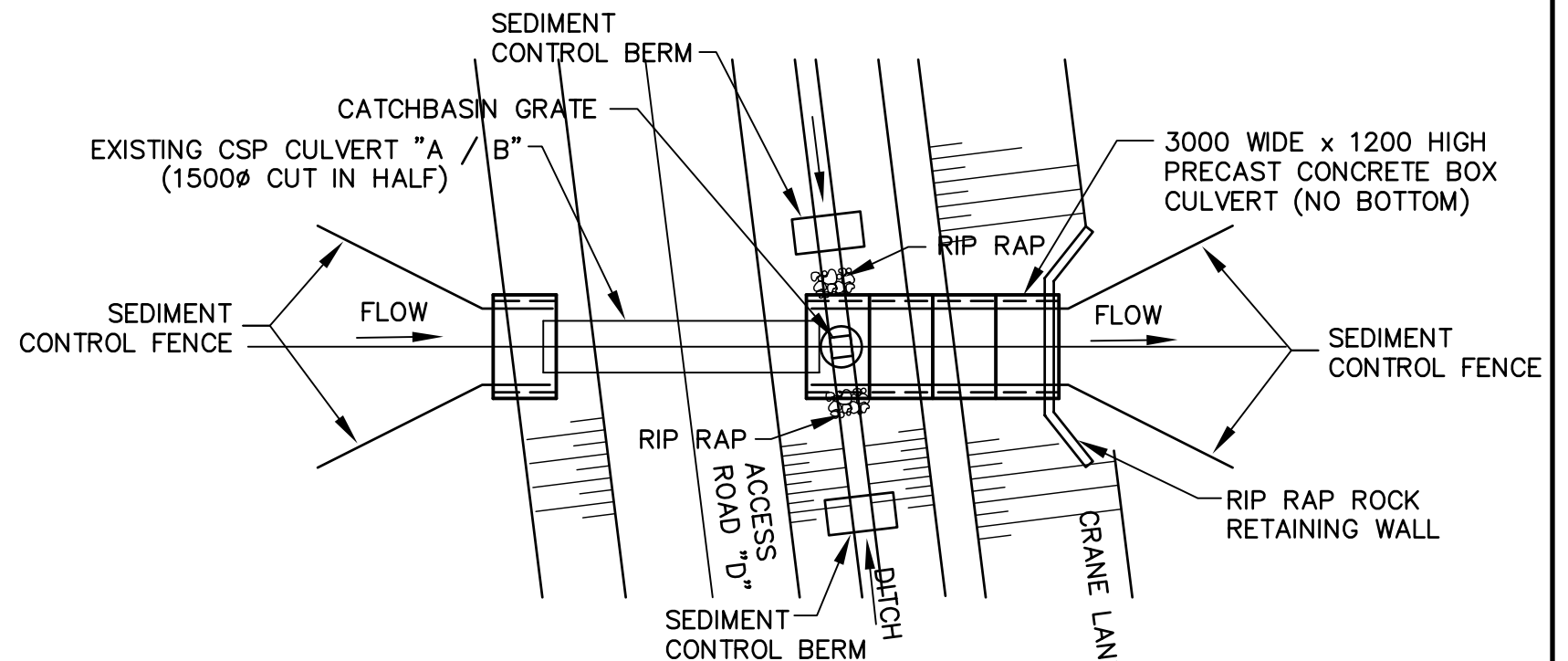
1:100

(ROAD "D" STATION 3+926)



FILL VOID BETWEEN EXISTING CSP AND BOX CULVERT WITH GEOTEXTILE AND RIP RAP

**A SECTION**  
1:100



**PLAN— TEMPORARY CULVERT "A & B" EXTENSION**

1:200

(ROAD "D" STATION 3+926)



**DRAWINGS AND PLANS OF "CULVERT A & B"**

Date	Scale	Contract
MAY 2008	AS NOTED	061236

Figure

**2.4**