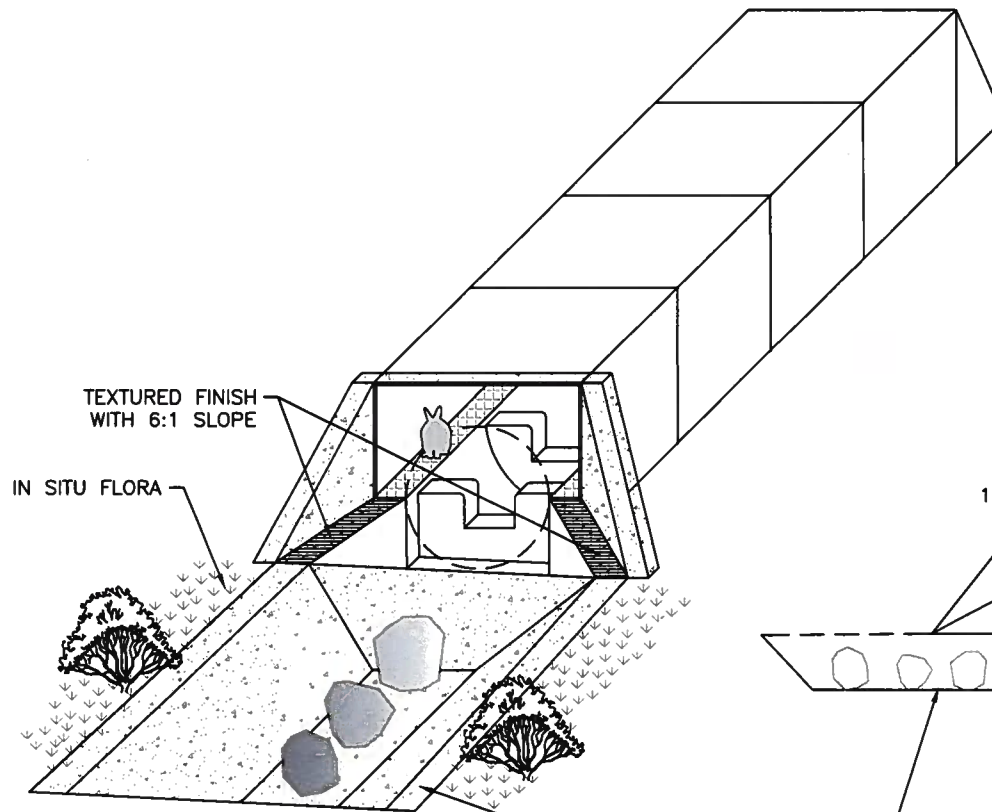
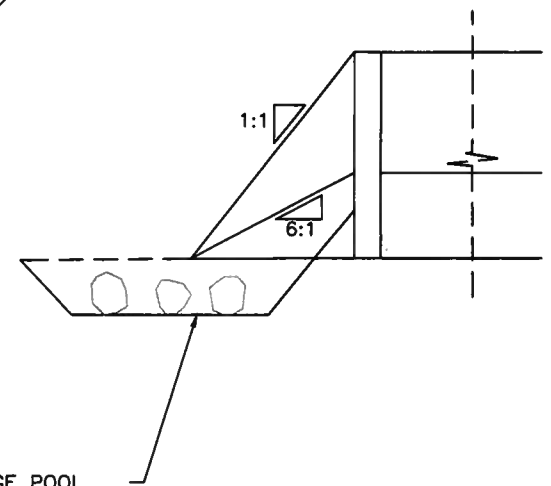


PLAN VIEW



ISOMETRIC VIEW



PROFILE VIEW

PLUNGE POOL
SEE STANDARD
DETAIL 'S-2009-141'

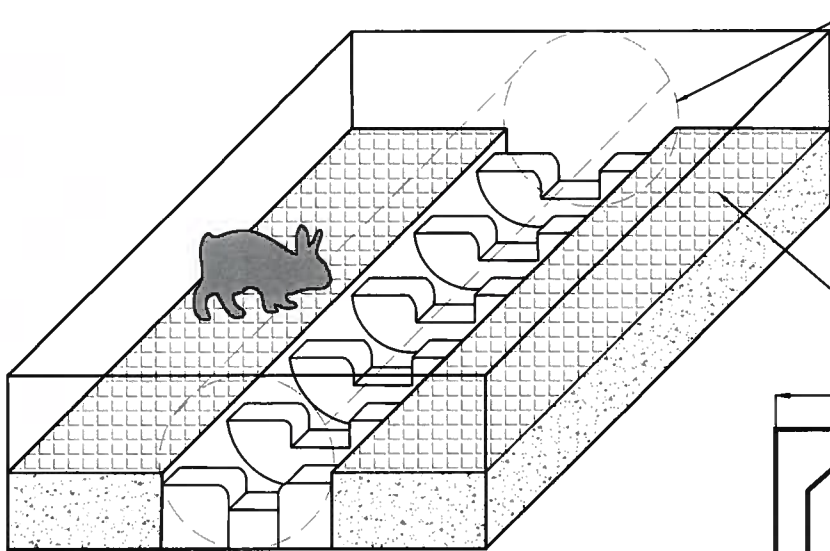
Dross
Manager Highway Planning and Design
Rufilisa
Director Highway Engineering Services
Paul Muth
Executive Director Highway Engineering and Construction



No.	REVISION

Scale : N.T.S.
 Drawn by : R.SUTCLIFFE
 Checked by : W.DEVEAU
 Date of Plan : JUNE2022
 File No. : S-2022-064

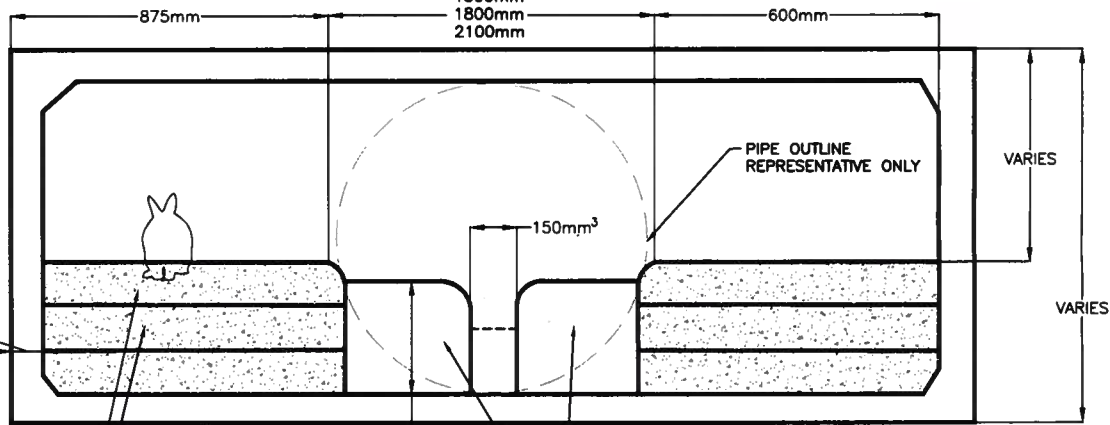
**SMALL WILDLIFE CROSSING
 AND FISH BAFFLE BOX CULVERT
 - END TREATMENT**



PIPE OUTLINE REPRESENTATIVE ONLY

GRASS STONE

PIPE SIZE VARIES
 900mm
 1200mm
 1500mm
 1800mm
 2100mm

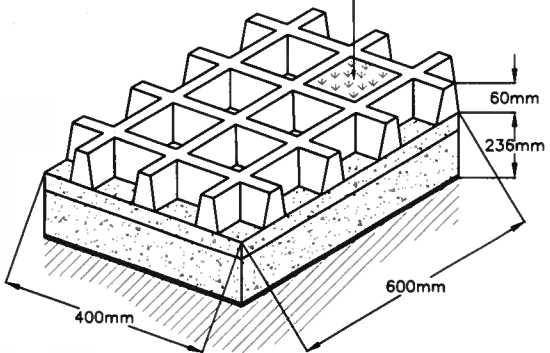


PIPE OUTLINE REPRESENTATIVE ONLY

VARIES

VARIES

ALL VOIDS TO BE FILLED TO TOP OF STRUCTURE WITH IN SITU MATERIAL



GRASS STONE PERSPECTIVE VIEW

MANUFACTURER DETERMINED PIPE WIDTH

GRASS STONE
 BEDDING

MIN. HEIGHT AS REQUIRED FOR 1 IN 10 YEAR STORM

BAFFLES AS REQUIRED

- NOTES:
1. FISH BAFFLES AS REQUIRED.
 2. TOP OF GRASS STONE TO BE ABOVE TOP OF BAFFLE.
 3. DIMENSIONS OF BAFFLE AS PER "GUIDELINES FOR THE DESIGN OF FISH PASSAGE FOR CULVERTS IN NOVA SCOTIA."
 4. ALL DIMENSIONS TO BE CONFIRMED BY PIPE MANUFACTURER.

D. Cross
 Manager Highway Planning and Design

R. Sutcliffe
 Director Highway Engineering Services

Ronald M. ...
 Executive Director Highway Engineering and Construction



No.	REVISION

Scale : N.T.S.
 Drawn by : R.SUTCLIFFE
 Checked by : W.DEVEAU
 Date of Plan : JUNE2022
 File No. : S-2022-064

SMALL WILDLIFE CROSSING AND FISH BAFFLE BOX CULVERT