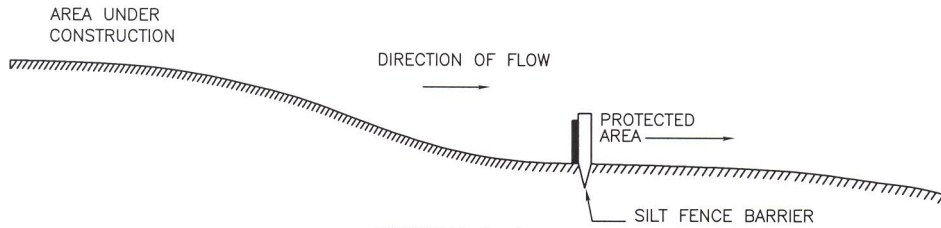
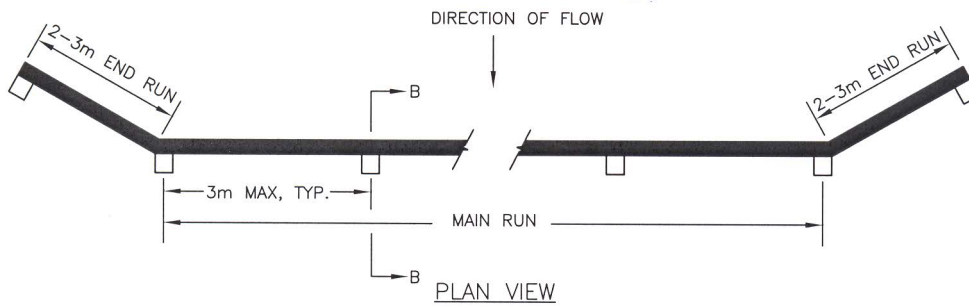


PERSPECTIVE VIEW

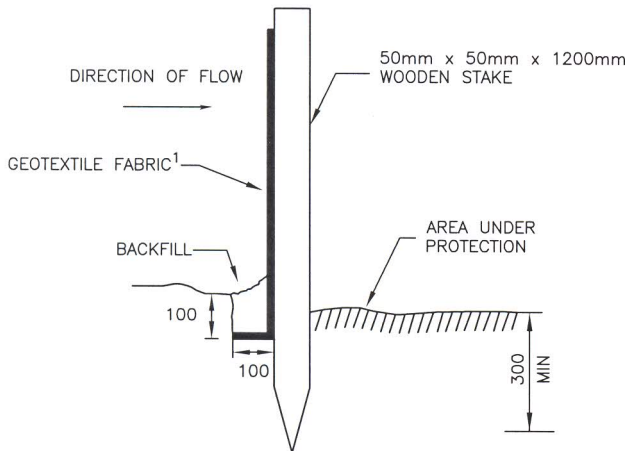


SECTION A-A



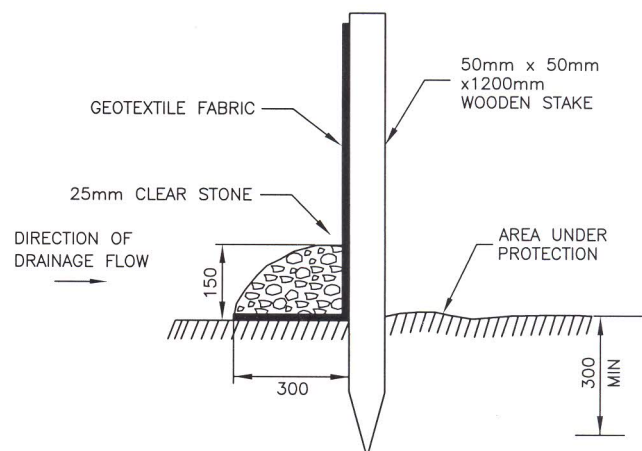
PLAN VIEW

OPTION #1



SECTION B-B

OPTION #2<sup>3</sup>



SECTION B-B

NOTES:

1. OVERALL HEIGHT OF FABRIC IS 0.9m WITH 20cm BURIED LEAVING 0.7m ABOVE GROUND LEVEL.
2. ALL DIMENSIONS ARE IN MILLIMETRES UNLESS OTHERWISE NOTED.
3. OPTION 2 PERMITTED IN AREAS WHERE CONSTRUCTION OF TRENCH IS DIFFICULT TO EXCAVATE.

Scale : N.T.S.  
 Drawn by : M.BARTEAUX  
 Checked by : B.PETT  
 Date of Plan : AUG2009  
 File No. : S-2009-132

*Christina Mac*  
 Manager Environmental Services  
*B. Pett*  
 Director Highway Engineering Services  
*John G. ...*  
 Executive Director Highway Engineering and Construction



Transportation and Infrastructure Renewal

No.	REVISION
1	Added Option 2 and Notes -APR 2011

**SEDIMENT CONTROL FENCE  
 FOR SHEET FLOW HS702**