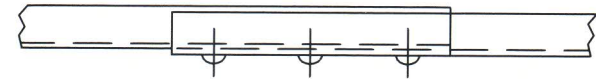
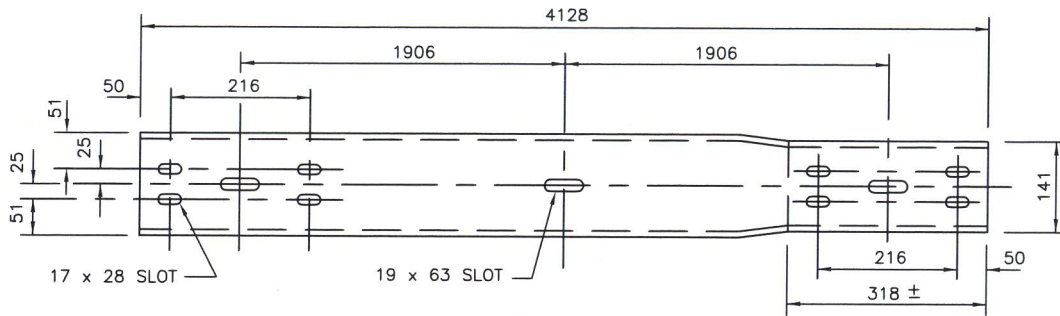


PLAN

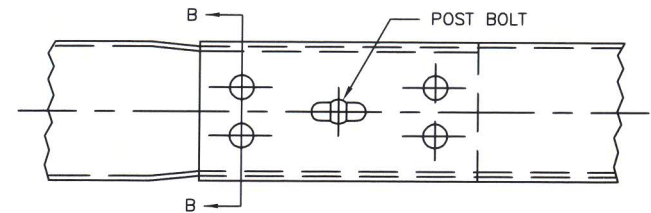


PLAN

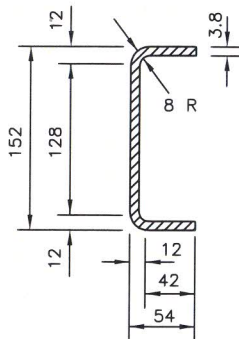


ELEVATION

SWAGGED SPLICE

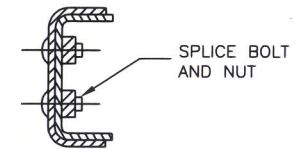


ELEVATION



SECTION D-D

COLD ROLLED CHANNEL DETAIL



SECTION B-B

SWAGGED SPLICE DETAIL

NOTES:
1. ALL DIMENSIONS ARE IN MILLIMETRES UNLESS OTHERWISE NOTED.

Burkhalter
Manager Highway Planning and Design

[Signature]
Director Highway Engineering Services

[Signature]
Executive Director Highway Engineering and Construction

**GUARDRAIL CHANNEL DETAIL
HS523**



No.	REVISION
1	HS # ADDED TO TITLE

Scale : N.T.S.
 Drawn by : M.LABRECHE
 Checked by : J.RAE
 Date of Plan : AUG2009
 File No. : S-2009-075