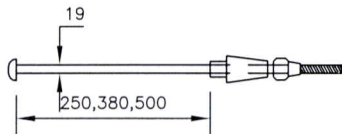
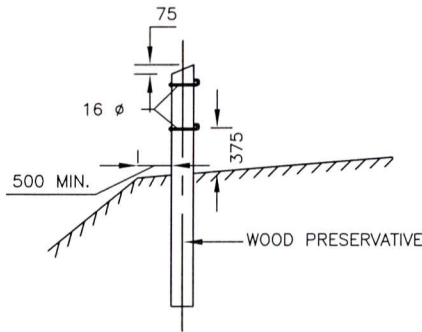


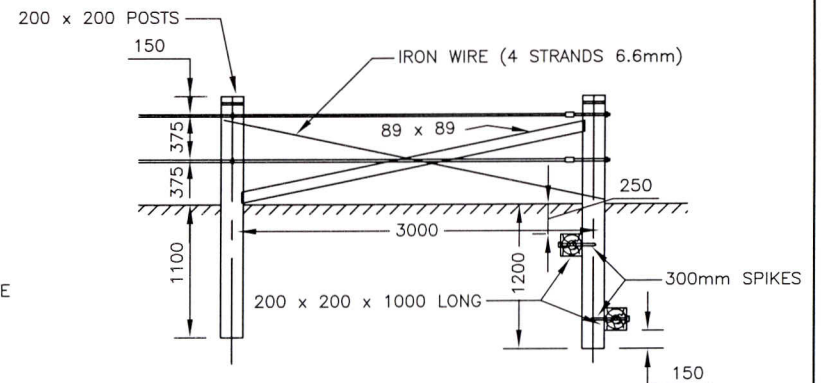
DETAIL 1: FEIGE MORROW SPLICE AND TURNBUCKLE



DETAIL 2: FEIGE MORROW END POST ASSEMBLY



DETAIL 3: HOOK BOLTS



FARM ENTRANCE, ETC.

NOTES:  
1. ALL DIMENSIONS ARE IN MILLIMETRES UNLESS OTHERWISE NOTED.

*Philip Cohen*  
Manager Highway Planning and Design

*[Signature]*  
Director Highway Engineering Services

*[Signature]*  
Executive Director Highway Engineering and Construction



No.	REVISION

Scale : N.T.S.  
 Drawn by : M.LABRECHE  
 Checked by : J.RAE  
 Date of Plan : AUG2009  
 File No. : S-2009-077

**DOUBLE CABLE GUARDRAIL**